



PRE-INSTALLATION SIGN-OFF

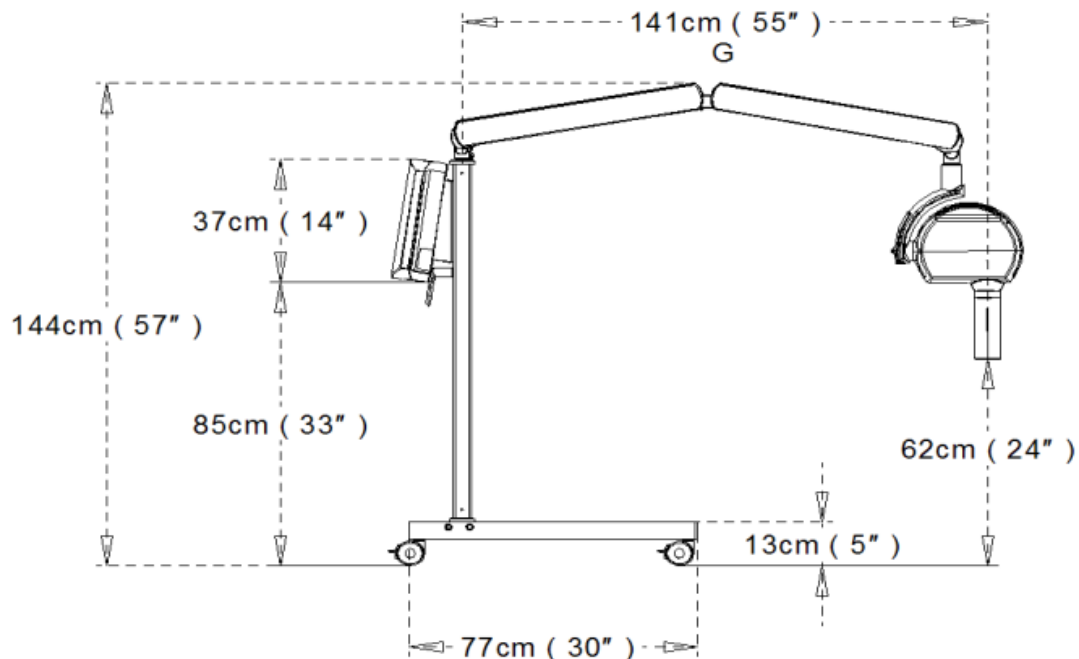
Thank you for choosing Vet-Ray by Sedecal for your X-ray needs. This form is important to verify your facility is properly prepared. Please check the boxes indicating you have reviewed each of the corresponding topics and the site is compliant.

We recommend you consult with your electrician or contractor when reviewing and completing this form.

Please call our Technical Support team if you have any questions.

All orders must have this form completed and returned before Sedecal USA can ship or confirm installation dates.

Dental Generator Pre-Installation	
Requirements for the Electrical Line for the Mobile Unit.	
	Check Box
Electrical Line must be "Single Phase" with nominal Voltage: 100-240 VAC, 50/60Hz (see electrical requirements)	<input type="checkbox"/>
Electric Line must be DEDICATED to the Power Supply of the Dental Vu X-Mind Unity System ONLY	<input type="checkbox"/>
No other Equipment will be connected to the same fused mains line as the Dental Vu X-Mind Unity	<input type="checkbox"/>



For any Technical Support questions please call: 800.920.9525 ext. 3 and 3 again



Clinic Name

(Phone Number)

Signature

(Title)

Print Name

Date Completed

(Purchased through)

When the X-ray equipment is delivered, please make sure to inspect the shipping boxes for damage. If any damage has been identified, please note it on the delivery receipt. Also, please make a note on the delivery receipt if any damage has been done to your building. If your floors, walls or doorways have been damaged, you must document and sign the delivery receipt stating any damage.

If the installation engineer arrives on the date scheduled and he determines (by this site preparation document) that the site is not ready, the customer will be responsible for the additional cost of re-scheduling the installation engineer once the site is ready. Sedecal USA states these conditions because we do not want accidental damage to the installed equipment while completing or finishing room construction. Accidental damage of this type and any infiltration of construction dust into the equipment is not covered by the stated equipment warranty.

It is your responsibility to comply with all State and Local shielding requirements and registering the X-ray system with the State of residence. For the most current information on the shielding specifications and contacts for your state, please use the following internet link: <http://www.crcpd.org/mpage/Map>

**Please sign and fax or email both pages to Sedecal USA
Attn: Installation Coordinator @ 847-666-4026
email: orderentry@sedecalusa.com**